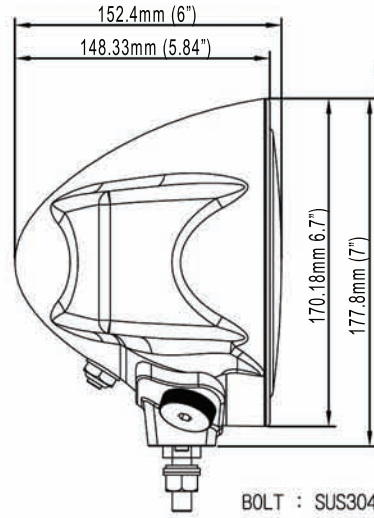
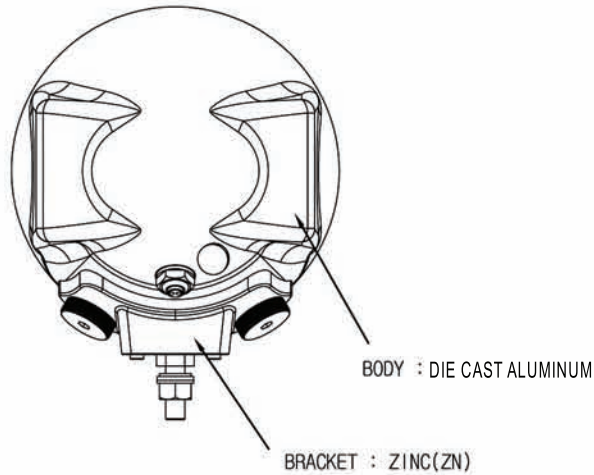
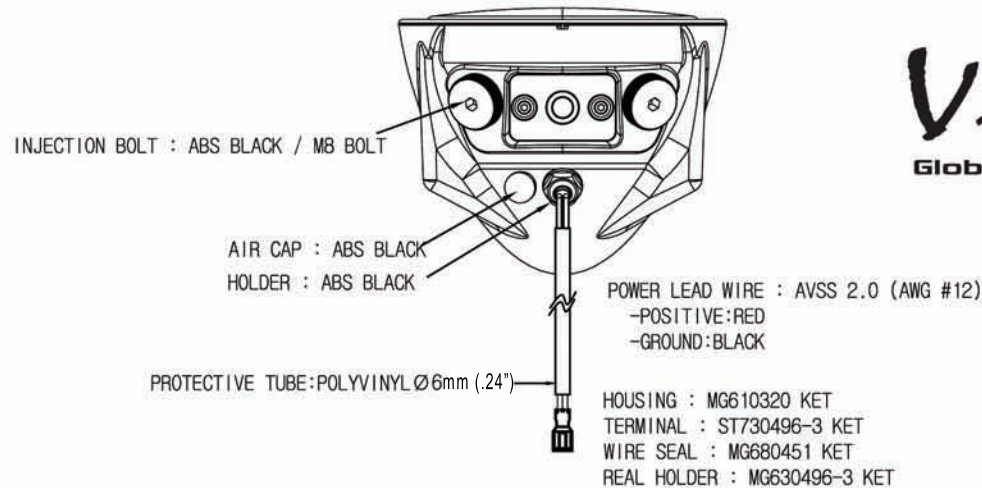
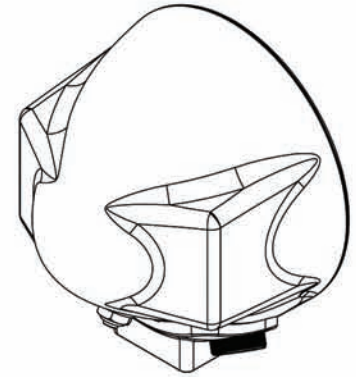
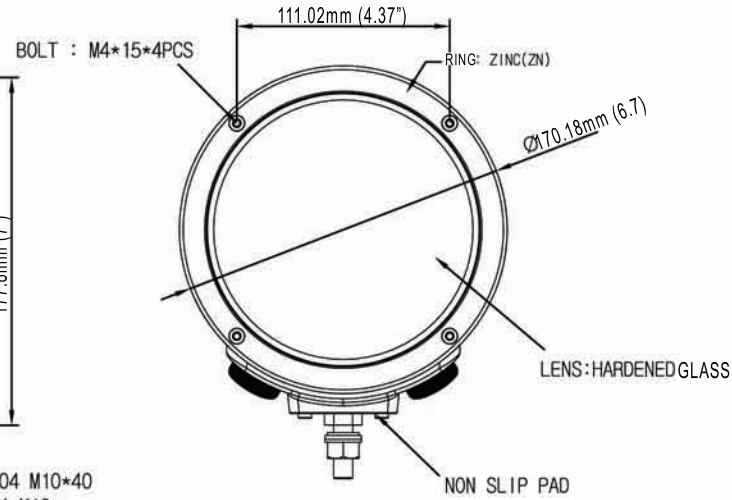


**E9**



BOLT : SUS304 M10\*40  
NUT : SUS304 M10  
SPRING-WASHER/NYLON  
WASHER : SUS304 M10\*21



**SPECIFICATION**

1. OPERATING VOLTAGE : 9-32 VOLT DC
2. BALLAST : 35 WATT HID
3. LAMP : 35W / 5000K ± 500
4. REFLECTOR : PRESS / VACUUM METALIZED
5. LENS : HARDENED GLASS
6. WEIGHT: 2.25Kg (4.96lbs)
7. VIBRATION : 8.6GRMS
8. WEATHER PROOF & DUST RESISTANT
9. TEMPERATURE : -40°C~85°C
10. LIFE : 2,000Hrs
11. IP RATING : IP65

UNIT	mm	DRAWING	CHECK	APPROVAL	TITLE	6500
SCALE						
DATA	N/S					
	2008.06.13				DRAWING NAME	VX-TS-6500

[VX] Vision X