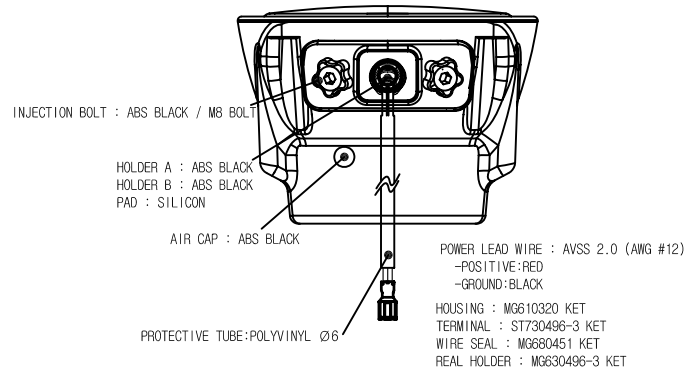
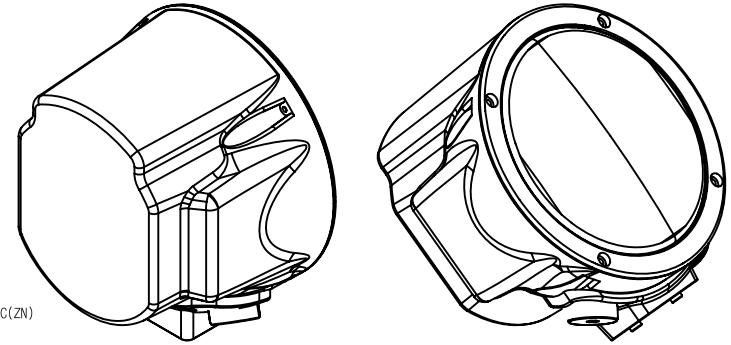
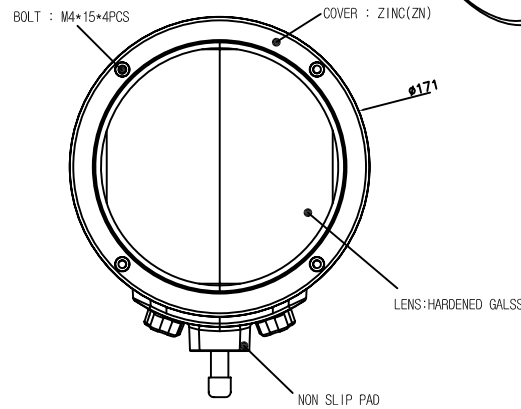
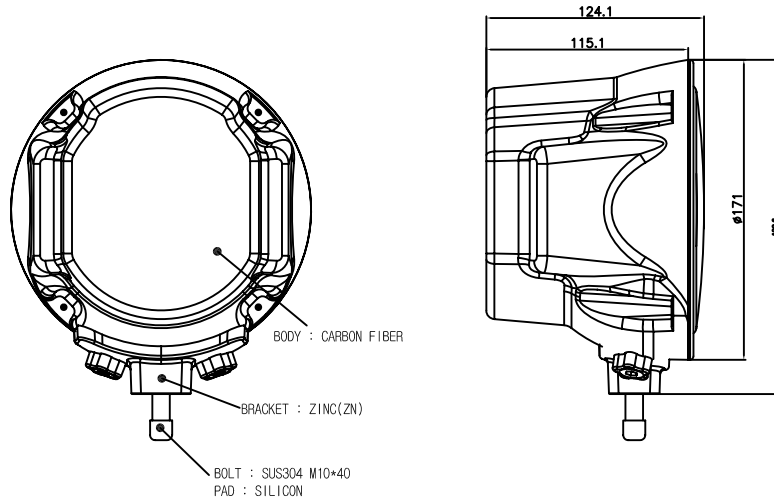


DATE	SIGN	REVISION	REMARKS



[SPECIFICATION]

1. OPERATING VOLTAGE : DC 9V~32V
2. WATTAGE : 12V/50W or 24v/50w
3. LAMP : 50W /5000K ±500
4. LUMEN : 4200(LM)
5. REFLECTOR ; PRESS/VACUUM METALLIZED
6. LENS ; HARDENED GLASS
7. WEIGHT : 1.66Kg
8. VIBRATION : 8.6GRMS
9. WATER PROOF & DUST RESISTANCE
10. TEMPERATURE : -40°C~85°C
11. LIFE : 2000Hrs
12. IP RATING : IP65



UNIT	mm	DRAWING	CHECK	APPROVAL	TITAL	HID 6550 CR
TOL.		M.J.PARK				
SCALE	1:1					
DATE	2010.07.29					
VISION X ASIA CO.,LTD.					DRAWING NO.	VX-BD-0000-0