



DURALUX SERIES MINI

DESCRIPTION

The DURA Mini Series offers outstanding light output from a small 2.75" compact housing. Utilizing 3-Watt LEDs, the DURA Mini operates with an extremely low amperage (1A@12V) while outputting 2,000 raw lumens. Weighing in at under 1 pound, the DURA Mini is the ideal light for those needing powerful light in a limited space.

Features and Benefits:

- Compact and Durable Die-Cast Housing Construction
- Polycarbonate Lens
- Weatherproof Deutsch Connector
- IP-68/ IP69K Rated

SPECIFICATIONS

MECHANICAL:

Fixture Weight:	0.88 lbs (0.39kg)
Shipping Weight:	2.34 lbs (1.06kg)
Mounting:	8mm Stud Mounting

TECHNICAL:

LED:	(4) 3W Cree
Raw Lumens:	2,000 lm
Effective Lumens:	950 lm
Beam Pattern:	60°
Wattage:	12W
Amp Draw:	1.0A@12V
Color Temperature:	6000K
Operating Voltage:	9-32V DC
Operating Temp:	-40°C ~ 85°C
Lifespan:	50,000 hrs

EMC:	IEC 62471 : 2006 EN 55015 : 2013 EN 61000-3-2 : 2014 EN 61000-3-2 : 2013 EN 61547 : 2009
------	--

Load Dump:	500V Surge 4000V Impulse
------------	-----------------------------

Polarity:	Reverse Polarity Protection
-----------	-----------------------------

Electronic Thermal Management:	Full output @ 40°C 10% Dimmed @ 60°C 20% Dimmed @ 85°C
--------------------------------	--

Connector:	2 Pin Deutch
------------	--------------

HOUSING:

Housing Material:	Aluminum
Lens:	Polycarbonate
Finish:	Marine Grade Gloss Black

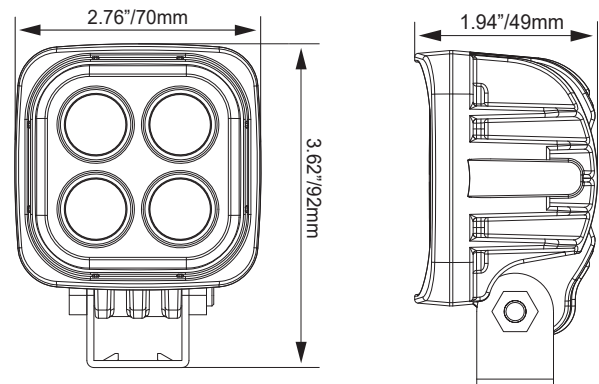
RATINGS:

Ingress Protection:	IP68/69K
Vibration Rating:	15.6Grms
Shock Rating:	60 G
Salt Spray:	ISO 9227



ITEM #:	PART#	BEAM PATTERN
DURA-M460	9895499	60° Flood

2D DRAWING:



BEAM PATTERN:

