



# FUEL CANOPY SERIES ULTRA WIDE FLOOD

## DESCRIPTION

Designed to outshine and outlast the competition, the Junction Box fixture features advanced electronic technology like Pulse Width Modulation, Electronic Thermal Management, and a Redundant Circuit Design that allow the fixture to function even if half of the light should fail in extreme conditions.

## SPECIFICATIONS FUEL CANOPY KIT



### MECHANICAL:

Fixture Weight:	8 lbs (3.8kg)
Shipping Weight:	10 lbs (4.5kg)
Mounting/ Entries: (See Accessories)	(6) 3/4" NPT - SIDES

### ELECTRICAL:

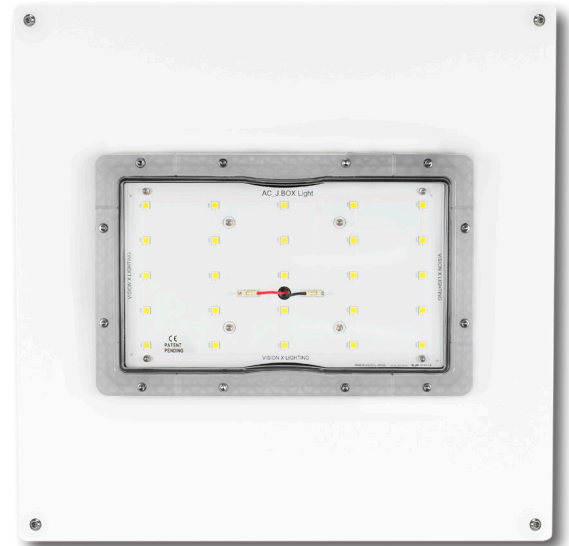
Operating Voltage:	90 - 305VAC 127 - 431VDC
Lumens:	6000-7000 lm
Wattage:	50W
Operating Temp:	-40°C - 60°C
THD:	<20% (@load≥50% / 115VAC,230VAC) (@load≥75% / 277VAC)
Power Factor:	≥ 0.98/115VAC ≥ 0.95/230VAC ≥ 0.92/277VAC
Short Circuit:	Constant Current Limiting, Recovers Automatically After Fault Condition is Removed
Frequency:	47-63Hz
Vibration:	15.6Grms

### CONSTRUCTION:

Housing:	Die-Cast 6061 Aluminum
Finish:	Gloss Grey
Lens:	Polycarbonate Lens

### LED Light Engine / Driver:

LED:	MHB-B(CREE)
Amp Draw:	0.43A @ 115VAC 0.22A @ 230VAC 0.18A @ 277VAC
Lifespan:	50,000 hr



### PART #:

LSG0225180FC

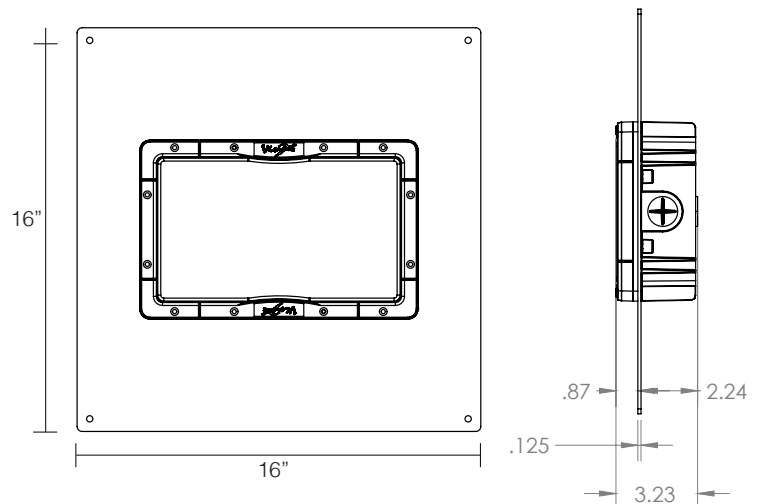
LBG0225180FC (Battery Backup)

### BEAM PATTERN

180° Ultra-Wide Flood

180° Ultra-Wide Flood

### 2D DRAWING:



### RATINGS:

EMC Emission:	Compliance to EN55022, EN61000-3-2 Class A, EN61000-3-3
EMC Immunity:	Compliance to EN55024, EN61000-4-2,3,4,5,6,8,11; light industry level(surge 2KV), criteria A
UL 1598A Marine:	✓
Ingress Protection:	IP-68, IP69k