



10W JUNCTION BOX

CORROSION RESISTANT SERIES

DESCRIPTION

The 10-Watt All-In-One Junction Box LED Light is IP-68/IP69K rated and UL1598a rated for wet locations. Designed to fight against acid mist environments, the 10W is engineered with a plastic tri-coated aluminum housing.

Features and Benefits:

- Protective Coating Eliminates Corrosion in High-Risk Environments
- Easy Pole or Ceiling Mounting Options
- 100 Watt Halogen Bulb Replacement
- UL Certified, IP-68/IP69K Rating

SPECIFICATIONS

MECHANICAL:

Fixture Weight:	2 lbs (0.9kg)
Shipping Weight:	4 lbs (1.8kg)
Mounting:	(4) 3/4" NPT - SIDES

TECHNICAL:

LED:	5630 (LG) X 40EA
Lumens:	1,000 lm
Beam Pattern:	180°
Wattage:	10W
Amp Draw:	0.09A@115V AC 0.04A @ 230V AC 0.04 @ 277V AC
Color Temperature:	5000 Kelvin
Operating Voltage:	90-264V AC 127-370V DC
Operating Temp:	-40°C ~ 60°C
Lifespan:	50,000 hrs
Frequency:	47-63Hz
THD:	<20% (@load≥50% 115VAC,230VAC) (@load≥75% / 277VAC)
Power Factor:	≥ 0.98/115VAC ≥ 0.95/230VAC ≥ 0.92/277VAC
Short Circuit:	Constant Current Limiting, Recovers Automatically After Fault Condition is Removed
Polarity:	Reverse Polarity Protection

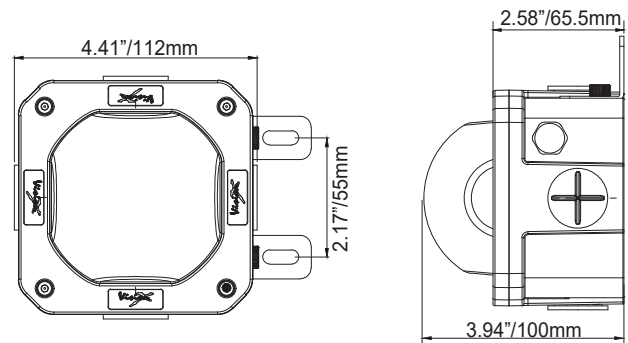
CONSTRUCTION:

Housing Material:	Plastic Tri-Coated Aluminum
Lens:	Polycarbonate
Finish:	Gloss Yellow



PART #:	BEAM PATTERN	LENS COLOR
LSYSM40180F	180° Ultra Wide Flood	Frosted

2D DRAWING:



RATINGS:

EMC Emission:	Compliance to EN55022, EN61000-3-2 Class A, EN61000-3-3
EMC Immunity:	Compliance to EN55024, EN61000-4-2,3,4,5,6,8,11; light industry level (surge 2KV), criteria A
Ingress Protection:	IP-68, IP69k
UL1598a Marine:	✓
Vibration Rating:	15.6 Grms
Warranty:	5 Years