



# TREMOR XD

## HIGH OUTPUT LED BEACON

EN



## Instructions, Specification and Warranty Details

P/Nos. TREM-85250X



\*X signifies the color eg.  
TREM-85250A = Amber

### WARNING



#### Read carefully and understand all instructions before operating.

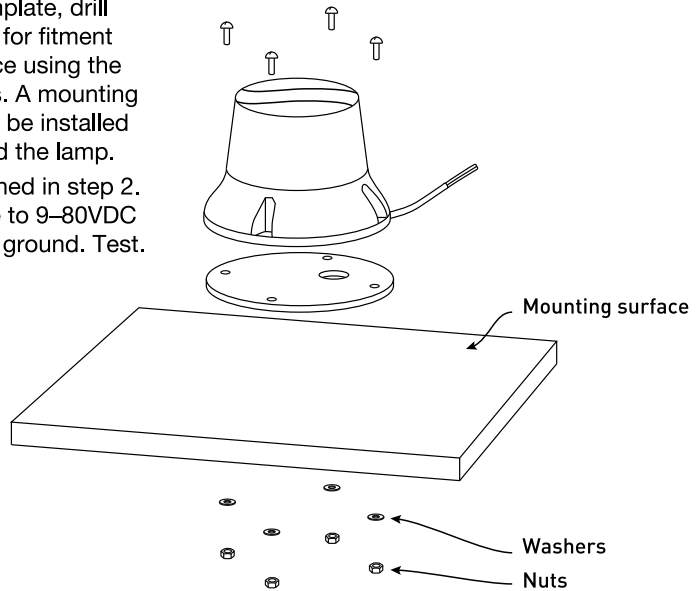
- It is not recommended to use magnetically mounted warning devices on the outside of a vehicle in motion. Usage is at the sole risk and responsibility of the user.
- Risk of electrical shock; do not use in an environment with gas, combustible or explosive materials, or hot objects.
- Do not open, repair or modify.
- Use only under the recommended voltage and frequency requirements.
- Do not look directly at the light, as this will result in dazzling.
- Minimum distance from lighted objects 0.1m.
- The specification in this manual is based on standard lab testing, different environments may influence the data.
- **California Proposition 65 Warning:** This product contains chemicals known to the State of California to cause cancer, and birth defects or other reproductive harm. For more information, please visit [www.P65Warnings.ca.gov](http://www.P65Warnings.ca.gov)

## FEATURES

- Tough diecast aluminium housing and virtually unbreakable polycarbonate lens.
- Ambient light sensor for Day/Night mode.
- 9–80V multi-volt DC input to suit most applications.
- Flash synchronisation of multiple beacons.
- Virtually unbreakable polycarbonate lens and base.
- SAE and ECE approved.

## INSTALLATION

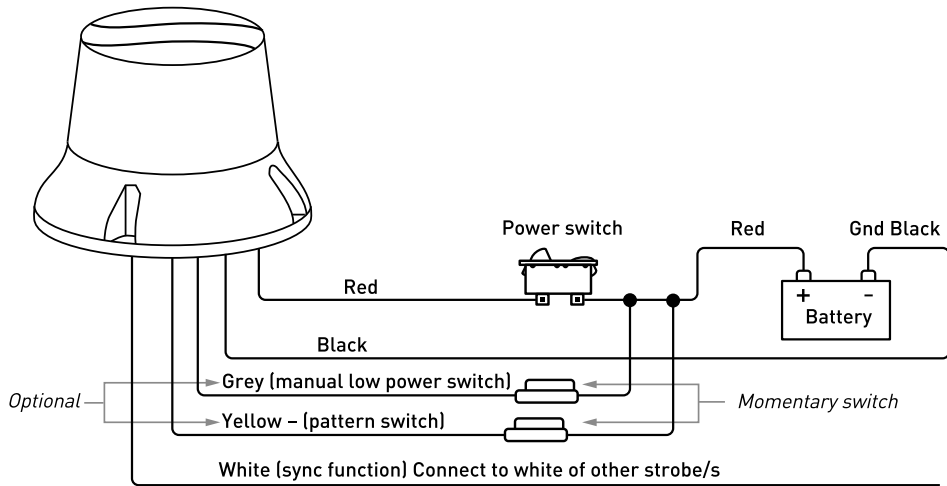
- 1 Prepare a suitable area on the vehicle's surface by wiping it clean to prevent scratching.
- 2 Drill a 10mm ( $\frac{3}{8}$ " ) hole into the surface for the wires to exit through for connection to a power source. Alternatively, the wires can be directed through the side of lamp's base for connection to a power source.
- 3 Using the lamp as a template, drill four 4.7mm ( $\frac{6}{16}$ " ) holes for fitment and secure to the surface using the supplied mounting bolts. A mounting pad is included and can be installed between the surface and the lamp.
- 4 Route the wires as planned in step 2. Connect the red (+) wire to 9–80VDC and the black (-) wire to ground. Test.



## WIRING

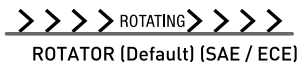
- RED:** To 9–80V DC (+)  
**BLACK:** To chassis / ground (-)  
**YELLOW:** Flash pattern selection  
**WHITE:** Synchronisation  
**GREY:** Ambient light sensor override (+)

## WIRING DIAGRAM



## FLASH PATTERNS

The unit comes with 6 user-selectable flash patterns:



## ADJUSTING FLASH PATTERN

- 1** Touch the yellow wire to positive power for less than 1 second to move to the next pattern.
- 2** If the operator desires to change the pattern after installation this can be achieved by adding an extra switch or using a 3 position switch (Off/On/Mom On)
- 3** To synchronize patterns (cannot be done over 48V) connect the white wires of each strobe together.

## AMBIENT LIGHT SENSOR FUNCTION

The ambient light sensor dims the strobe to 20% of full output. This can be overridden if a switch is wired to the Grey Wire.

Switch one time for Low Power, touch again for high power. Once the wire is used the sensor is disabled. To reactivate the sensor turn the beacon off and on again. See full wiring diagram above.

## SPECIFICATIONS

<b>LED</b>	8 x 5W	<b>Width</b>	125mm / 4.92"
<b>Housing Material</b>	Aluminium Base	<b>Height</b>	91mm / 3.58"
<b>Lens Material</b>	Polycarbonate	<b>Depth</b>	125mm / 4.92"
<b>Mounting</b>	4-Bolt Flange	<b>PCD</b>	111.5mm / 4.39"
<b>Operating Temp.</b>	-22°F - 176°F (-30°C - + 80°C)	<b>Shock/Vibration</b>	ISO 16750-3, MIL-STD-810G
<b>Voltage</b>	9-80V DC	<b>Approvals</b>	CE, ROHS, REACH
<b>Wattage (W)</b>	40W	<b>IP Rating</b>	IP-67, IP-69k
<b>Amperage</b>	2A @ 12V	<b>ECE Ratings</b>	ECE R65, ECE R10
<b>Weight</b>	0.6kg / 1.3lbs	<b>EMC Approval</b>	CISPR25 Class 3
		<b>SAE Compliance</b>	J845 Class 1, W3-1

### WARRANTY TERMS & CONDITIONS:

1. Warranty items will be replaced or repaired to working condition and returned without cosmetic alterations.
2. A proof of purchase is required to validate all warranty claims. The warranty period is valid starting from the original date of purchase.
3. All products must have been purchased through a Vision X Authorized Dealer/Reseller to be eligible for warranty.
4. Damage resulting from any improper installation, accident, abuse, neglect or normal wear are not covered under warranty.
5. Any product used in mining applications is warranted for one year only.
6. Actions which void the warranty include:
  - a. Opening of the lighting fixture
  - b. Cutting any connectors or cords
  - c. Broken Glass
  - d. Damage caused by physical abuse
  - e. Lights operated in environments outside their stated specifications\*
7. All customer warranties should be handled through the Dealer/Reseller the product was originally purchased from. The customer is responsible for delivery to the Vision X Returns in Auburn, Washington.
8. If a product is deemed not covered under warranty, customer will be responsible for the return shipping charges.
9. Items not covered under warranty can be repaired at the customer's expense for parts and labor, at the discretion of Vision X Lighting, who will provide an estimated repair cost before proceeding with the repair.

Distributed by:  
**Vision X Lighting**  
 1601 Boundary Blvd.  
 Auburn WA, 98001 USA  
 Made in China

For more info visit

**[www.visionxusa.com](http://www.visionxusa.com)**