



PROSPECTOR

LED WORK LIGHTS



5 LED PROSPECTOR SERIES

INDUSTRIAL MINING

The Prospector Series Work Lights bring versatility and affordability to the forefront with a simplified housing design and multiple size options. The newly designed lens integrates the optics to reduce cost but still maintain optimal beam performance. Each light will feature a color coded back-plate so that you can easily identify the beam pattern of each light. The high-output 7W LEDs produce over 900 lumens per LED and is available in spot or flood beam patterns.

Features and Benefits:

- High-Output 7W LEDs
- Available in 5, 9 and 12 LED configurations
- Color Coded Backplates to Identify Beam Pattern
- Spot (Blue) or Flood (Yellow) Beam Options

SPECIFICATIONS

MECHANICAL:

Fixture Weight:	2.78 lbs (1.26kg)
Connector:	Deutsch DT04-2P
Mounting:	Single Bolt

TECHNICAL:

LED:	7W Cree
Raw Lumens:	4550 lm
Effective Lumens:	3400 lm
Beam Pattern:	40° Flood Beam or 10° Spot Beam
Wattage:	35W
Amp Draw:	2.92A@12V
Color Temperature:	5700 Kelvin
Operating Voltage:	9-32v DC
Operating Temp:	-40°C ~ 60°C
Lifespan:	50,000 hrs
Polarity:	Reverse Polarity Protection

CONSTRUCTION:

Housing Material:	Aluminum
Lens:	Polycarbonate
Finish:	Powder Coated Gloss Black

RATINGS:

EMC Emission:	Compliance to EN55022, EN61000-3-2 Class A, EN61000-3-3
EMC Immunity:	Compliance to EN55024, EN61000-4-2,3,4,5,6,8,11; light industry level (surge 2KV), criteria A
Ingress Protection:	IP-68, IP69k
Vibration Rating:	21 Grms
Warranty:	3 Year

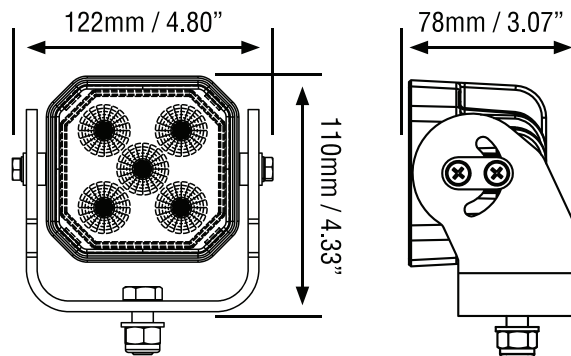


POB070510 Shown

POB070540 Shown

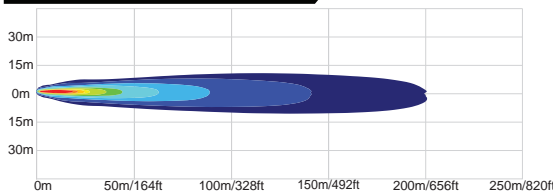
PART #:	BACKPLATE	BEAM PATTERN
POB070540	Yellow	Flood
POB070510	Blue	Spot

2D DRAWINGS:

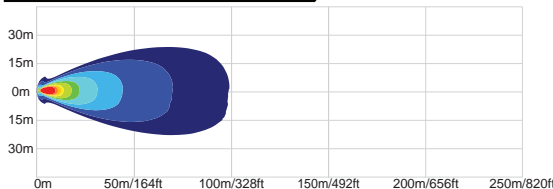


BEAM PATTERNS:

POB070510 10° SPOT BEAM PATTERN



POB070540 40° FLOOD BEAM PATTERN





9 LED PROSPECTOR SERIES

INDUSTRIAL MINING

The Prospector Series Work Lights bring versatility and affordability to the forefront with a simplified housing design and multiple size options. The newly designed lens integrates the optics to reduce cost but still maintain optimal beam performance. Each light will feature a color coded back-plate so that you can easily identify the beam pattern of each light. The high-output 7W LEDs produce over 900 lumens per LED and is available in spot or flood beam patterns.

Features and Benefits:

- High-Output 7W LEDs
- Available in 5, 9 and 12 LED configurations
- Color Coded Backplates to Identify Beam Pattern
- Spot (Blue) or Flood (Yellow) Beam Options

SPECIFICATIONS

MECHANICAL:

Fixture Weight:	4.41 lbs (2.0kg)
Connector:	Deutsch DT04-2P
Mounting:	Single Bolt

TECHNICAL:

LED:	7W Cree
Raw Lumens:	8190 lm
Effective Lumens:	6040 lm
Beam Pattern:	40° Flood Beam or 10° Spot Beam
Wattage:	63W
Amp Draw:	5.25A@12V
Color Temperature:	5700 Kelvin
Operating Voltage:	9-32v DC
Operating Temp:	-40°C ~ 60°C
Lifespan:	50,000 hrs
Polarity:	Reverse Polarity Protection

CONSTRUCTION:

Housing Material:	Aluminum
Lens:	Polycarbonate
Finish:	Powder Coated Gloss Black

RATINGS:

EMC Emission:	Compliance to EN55022, EN61000-3-2 Class A, EN61000-3-3
EMC Immunity:	Compliance to EN55024, EN61000-4-2,3,4,5,6,8,11; light industry level (surge 2KV), criteria A
Ingress Protection:	IP-68, IP69k
Vibration Rating:	21 Grms
Warranty:	3 Year

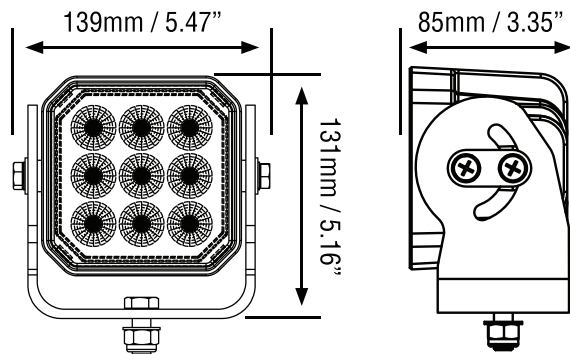


POB070910 Shown

POB070940 Shown

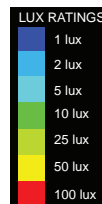
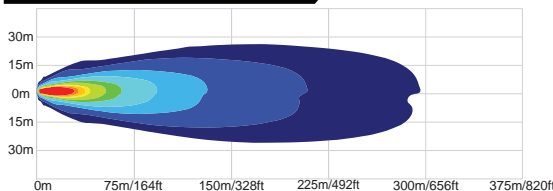
PART #:	BACKPLATE	BEAM PATTERN
POB070940	Yellow	Flood
POB070910	Blue	Spot

2D DRAWINGS:

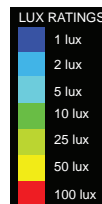
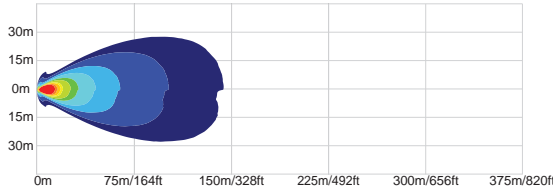


BEAM PATTERNS:

POB070910 10° SPOT BEAM PATTERN



POB070940 40° FLOOD BEAM PATTERN





12 LED PROSPECTOR SERIES

INDUSTRIAL MINING

The Prospector Series Work Lights bring versatility and affordability to the forefront with a simplified housing design and multiple size options. The newly designed lens integrates the optics to reduce cost but still maintain optimal beam performance. Each light will feature a color coded back-plate so that you can easily identify the beam pattern of each light. The high-output 7W LEDs produce over 900 lumens per LED and is available in spot or flood beam patterns.

Features and Benefits:

- High-Output 7W LEDs
- Available in 5, 9 and 12 LED configurations
- Color Coded Backplates to Identify Beam Pattern
- Spot (Blue) or Flood (Yellow) Beam Options

SPECIFICATIONS

MECHANICAL:

Fixture Weight:	5.29 lbs (2.4kg)
Connector:	Deutsch DT04-2P
Mounting:	Single Bolt

TECHNICAL:

LED:	7W Cree
Raw Lumens:	10920 lm
Effective Lumens:	8200 lm
Beam Pattern:	40° Flood Beam or 10° Spot Beam
Wattage:	84W
Amp Draw:	7.0A@12V
Color Temperature:	5700 Kelvin
Operating Voltage:	9-32v DC
Operating Temp:	-40°C ~ 60°C
Lifespan:	50,000 hrs
Polarity:	Reverse Polarity Protection

CONSTRUCTION:

Housing Material:	Aluminum
Lens:	Polycarbonate
Finish:	Powder Coated Gloss Black

RATINGS:

EMC Emission:	Compliance to EN55022, EN61000-3-2 Class A, EN61000-3-3
EMC Immunity:	Compliance to EN55024, EN61000-4-2,3,4,5,6,8,11; light industry level (surge 2KV), criteria A
Ingress Protection:	IP-68, IP69k
Vibration Rating:	21 Grms
Warranty:	3 Year



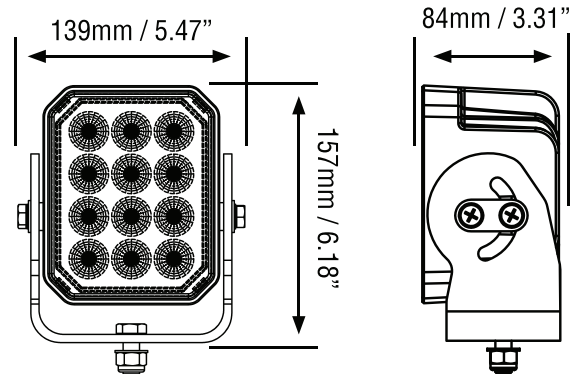
POB071210 Shown

POB071240 Shown

PART #: BACKPLATE BEAM PATTERN

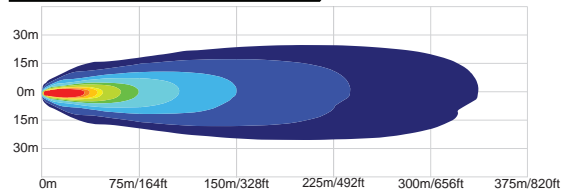
POB071240	Yellow	Flood
POB071210	Blue	Spot

2D DRAWINGS:

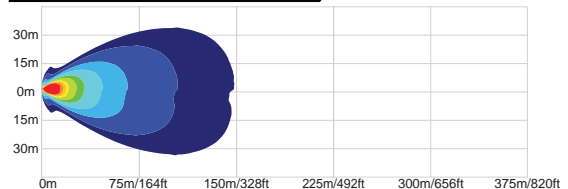


BEAM PATTERNS:

POB071210 10° SPOT BEAM PATTERN



POB071240 40° FLOOD BEAM PATTERN







VISION X HEADQUARTERS

1601 Boundary Blvd
Auburn WA, 98001
United States of America
P: 253-218-2900

VISION X ASIA (KR FACTORY)

23-7 Dongtansandan
9-gil Dongtan-myeon Hwaseong-si
Gyeonggi-do 18487, Korea
P: 82-32-515-4814

VISION X GLOBAL (CN FACTORY)

2059 Duhui Road Bld D Floor 5
Minhang, Shanghai, China, 20100
P: 82-1670-4813

VISIONXLIGHTING.COM